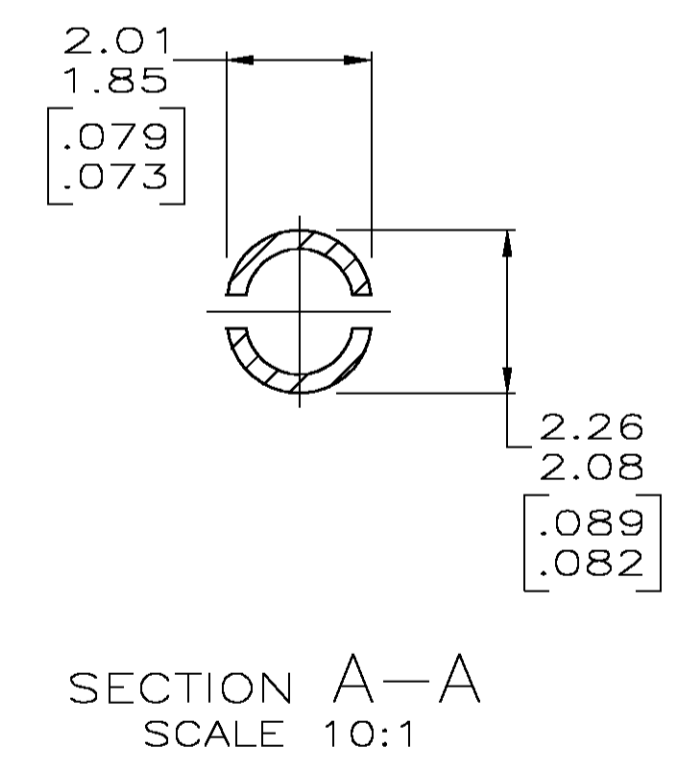
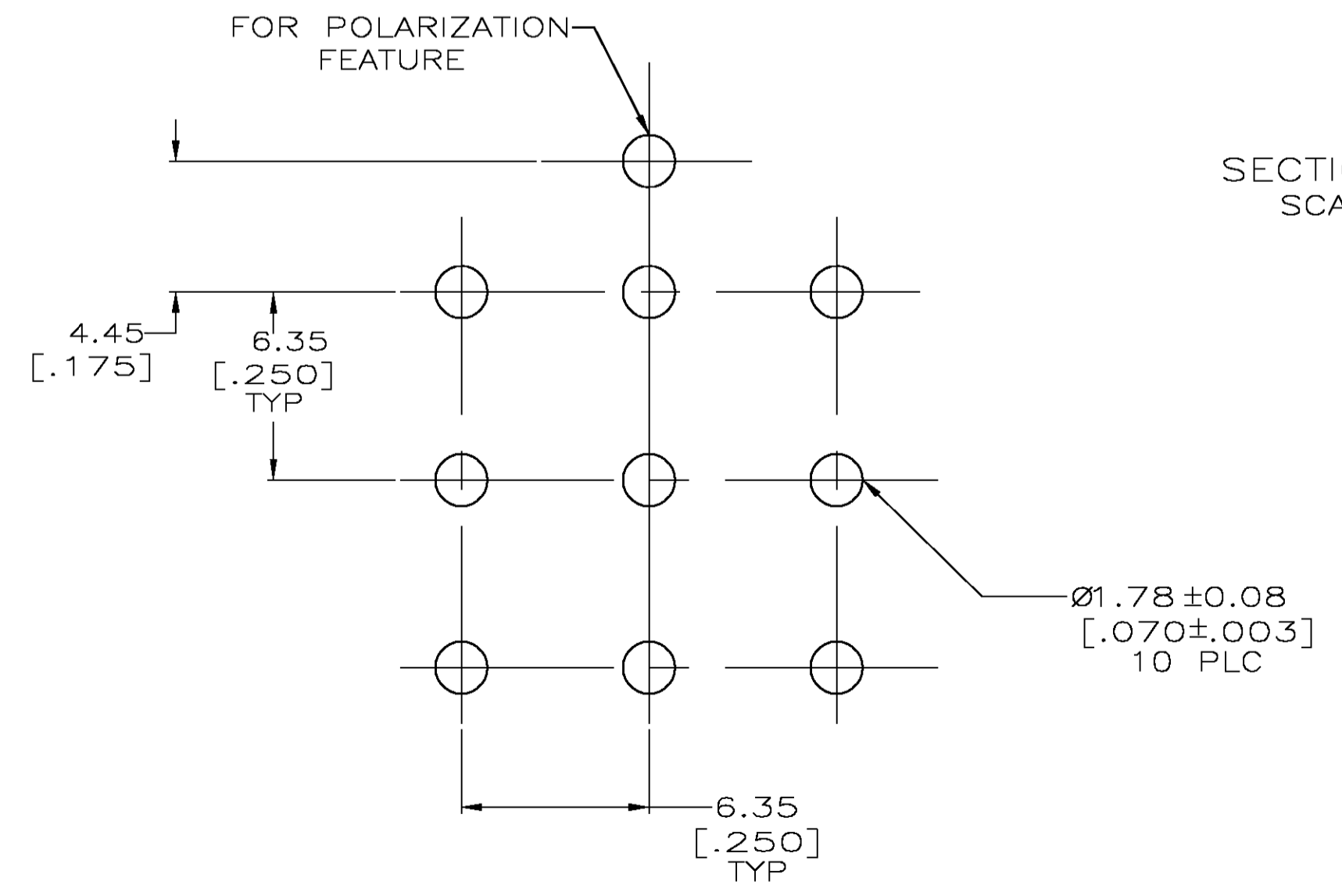
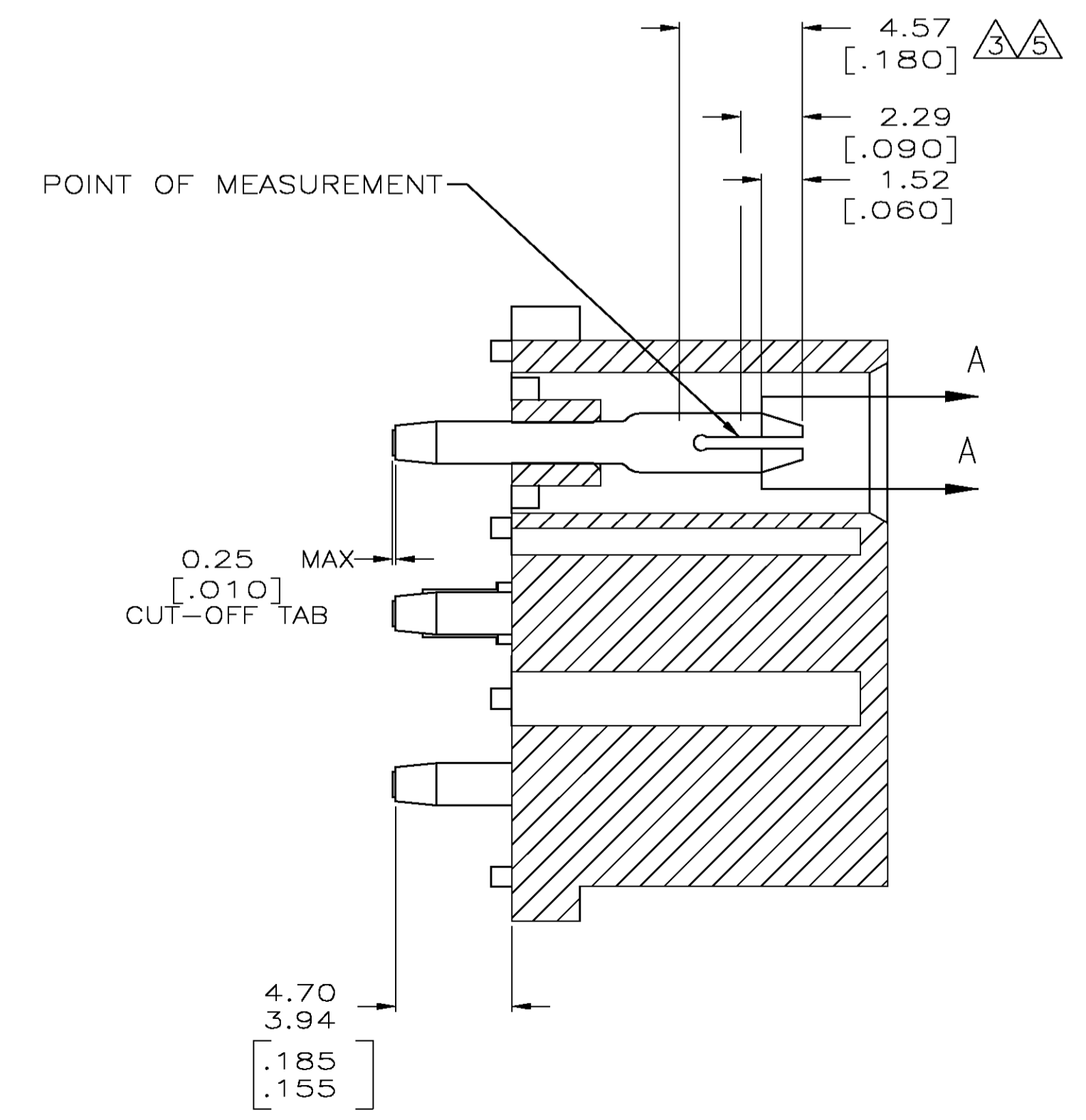
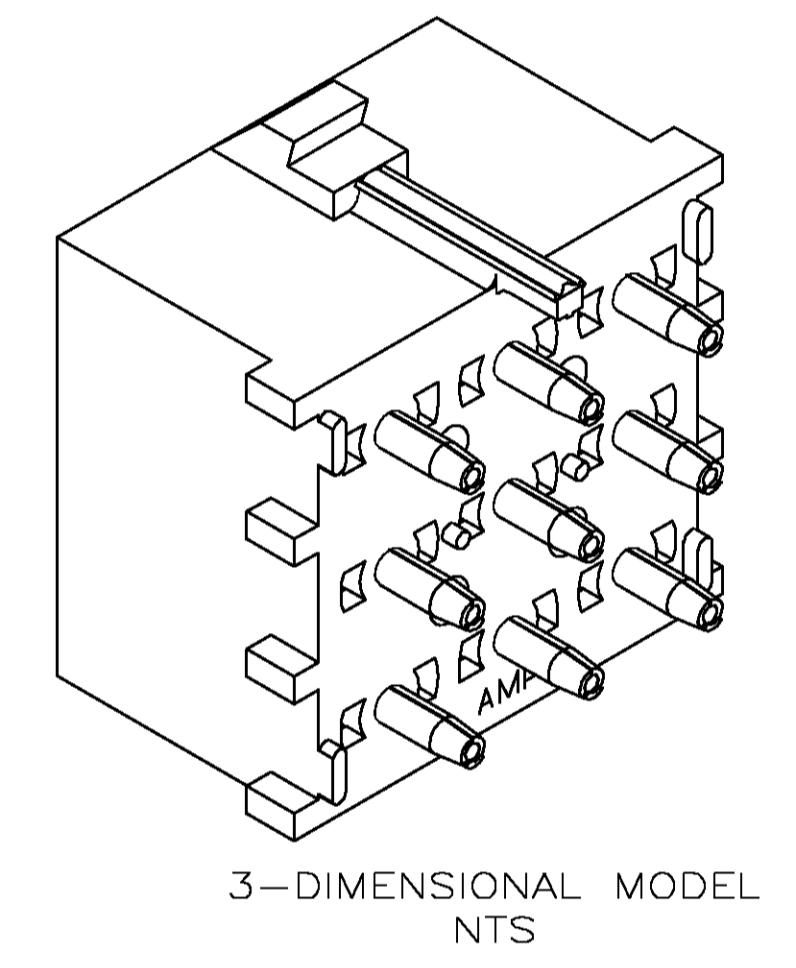
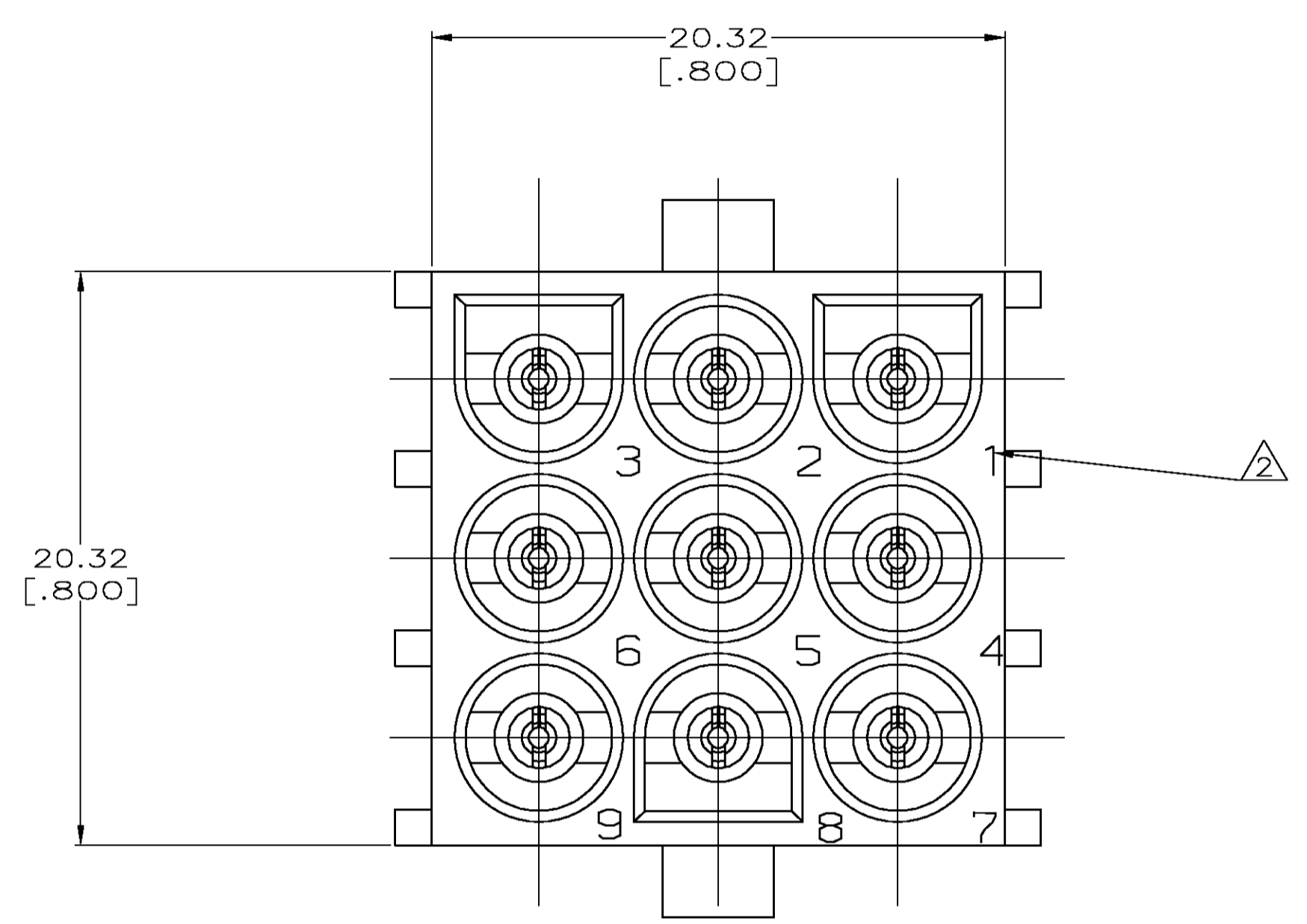
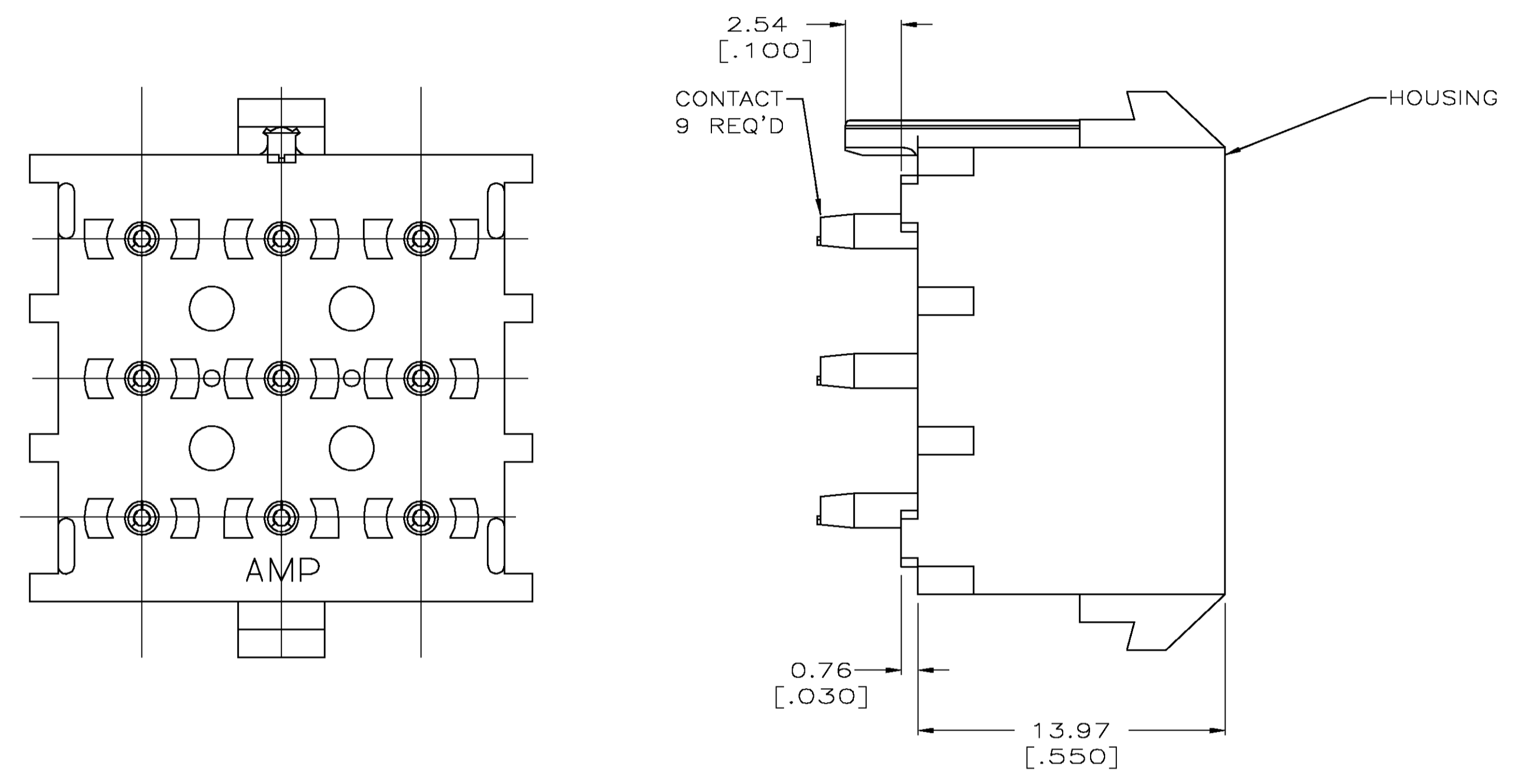


- PARTS COMPLY WITH AMP SOLDERABILITY SPECIFICATION 109-11-3.
- CIRCUIT IDENTIFICATION CHARACTERS ARE ADJACENT TO THE INDICATED CAVITIES, BUT LOCATION AND ORIENTATION MAY DIFFER FROM PRINT.
- CONTACT IS PLATED OVERALL WITH 0.00127 [.000050] NICKEL, THEN 0.00076 [.000030] GOLD OVER CONTACT LENGTH INDICATED AND MATTE TIN LEAD ON SOLDER TAIL END.
- DIMENSIONS IN BRACKETS ARE IN INCHES.
- CONTACT IS PLATED OVERALL WITH 0.00127 [.000050] NICKEL, THEN 0.00076 [.000030] GOLD OVER CONTACT LENGTH INDICATED AND MATTE TIN ON SOLDER TAIL END.



MATERIAL	FINISH	MATERIAL	COLOR	PART NO
PH BRZ	GOLD PLATED	NYLON, UL94V-0	WHITE	641972-3
PH BRZ	TIN PLATED	NYLON, UL94V-0	BLACK	1-641972-1
PH BRZ	GOLD PLATED	NYLON, UL94V-0	WHITE	641972-2
PH BRZ	TIN PLATED	NYLON, UL94V-0	WHITE	641972-1

THIS DRAWING IS A CONTROLLED DOCUMENT.		DIN 8-29-97		Tyco Electronics Corporation	
DIMENSIONS: mm [INCHES]		CHK R SWING 8-29-97		Greensboro, NC 27409	
TOLERANCES UNLESS OTHERWISE SPECIFIED:		APVD M TRULL 8-29-97		NAME	
0 PLC	± -	APPLICATION SPEC		PIN HEADER ASSEMBLY, POLARIZED, 9 CIRCUIT, UNIVERSAL MATE-N-LOK™	
1 PLC	± -	WEIGHT		SIZE CAGE CODE DRAWING NO	
2 PLC	± -	CUSTOMER DRAWING		A1 00779 C=641972	
3 PLC	± 0.13 [.005]	SCALE 5:1		SHEET 1 OF 1	
4 PLC	± -	RESTRICTED TO		REV R	
ANGLES	± -				
FINISH	SEE TABLE				